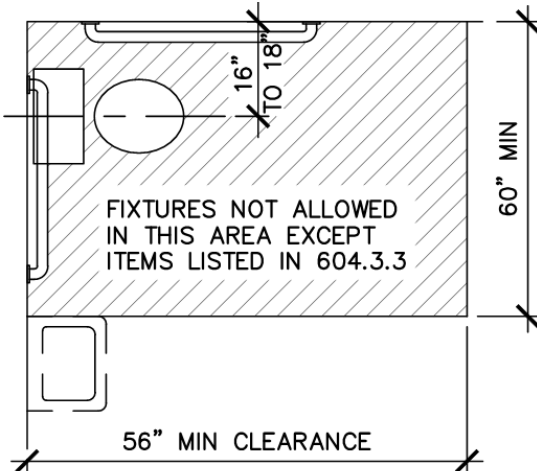
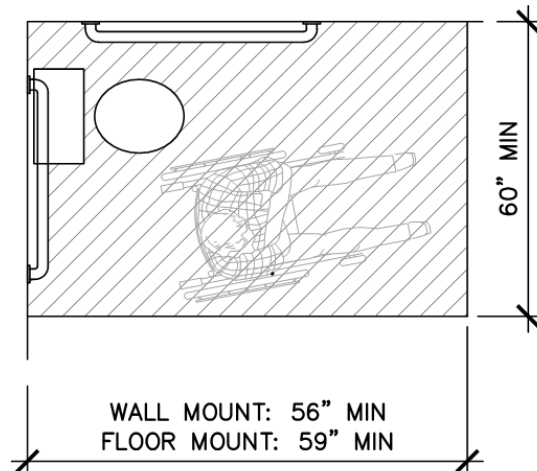


This header space is for local jurisdiction to put their own logo and information

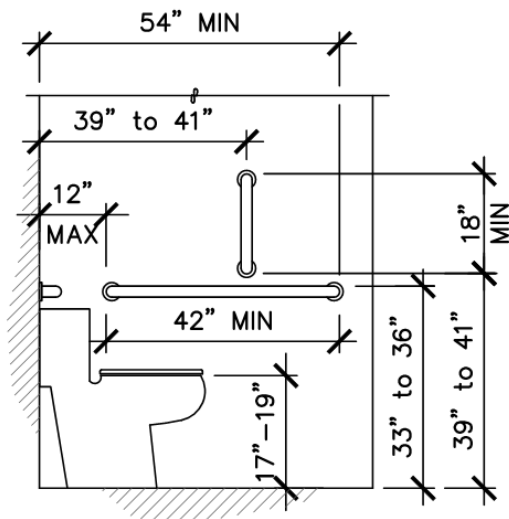
## ACCESSIBLE RESTROOM – Part I



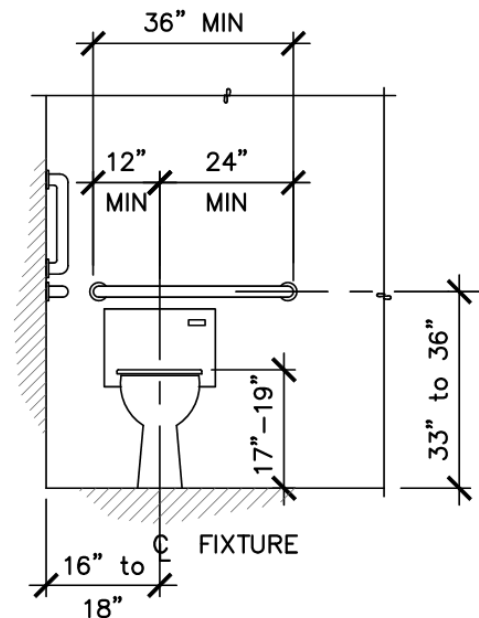
**WATER CLOSET CLEAR SPACE**  
(ICC A117.1–604.3.3)



**WHEELCHAIR CLEAR SPACE**  
(ICC A117.1–604.9.2.1)



**GRAB RAILS: SIDE ELEVATION**



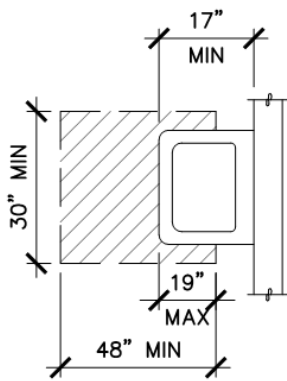
**GRAB RAILS: FRONT ELEVATION**

Notes:

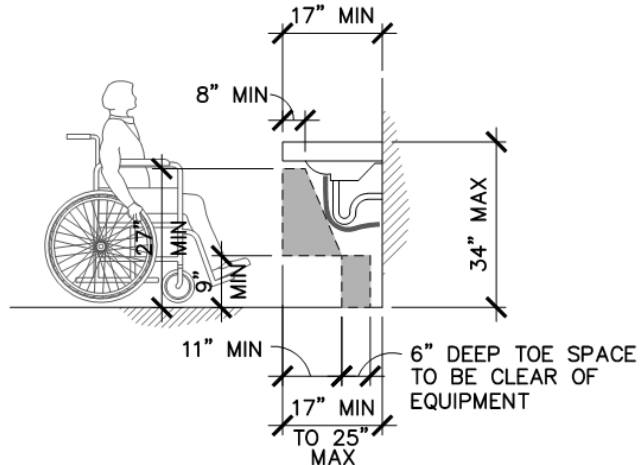
1. Based on 2019 Oregon Structural Specialty Code (OSSC) and the 2009 ICC A117.1 Standard (Need to verify compliance with new code/standard).
2. All fixtures, hallways, doors, etc. shall conform to the requirements of OSSC Chapter 11 and ICC A117.1 as applicable. See OSSC Section 1109.12.2 and ICC A117.1 Sections 902, 904.4 and other applicable sections for additional information.
3. Flush controls shall be:
  - a. Hand operated or automatic.
  - b. Mounted 15 to 48 inches above the floor (ICC A117.1 308).
  - c. Located on the open side.
4. Exposed (non-enclosed) hot water and drain pipes under lavatories and sinks shall be insulated (ICC A117.1 606.6).
5. All dispensers shall be located in accordance with ICC A117.1 604.7.
6. See ICC A117.1 604.11 for water closets and toilet compartments for children's use.

This header space is for local jurisdiction to put their own logo and information

## ACCESSIBLE RESTROOM – Part II



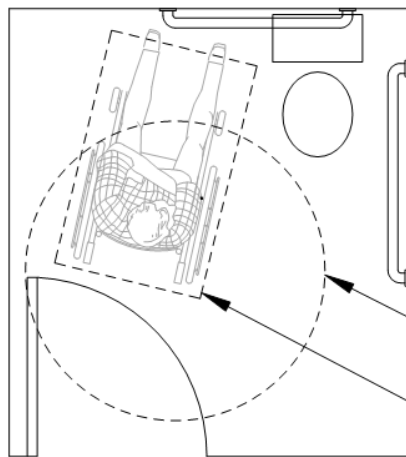
**SINK: PLAN VIEW**



**SINK: ELEVATION VIEW**

Where space beneath an element is included as part of clear floor space at an element or the turning space, the space shall comply with the following:

- The space beneath an element between the floor and nine (9) inches above the floor shall be considered toe clearance.
- The toe clearance shall extend seventeen (17) inches minimum beneath the element.
- Space extending greater than six (6) inches beyond the available knee clearance at nine (9) inches above the floor shall not be considered toe clearance.
- Toe clearance shall be thirty (30) inches minimum in width.



60 INCH UNOBSTRUCTED TURNING SPACE  
REQ'D PER 603.2.2. SEE EXCEPTION FOR  
DOOR ENCROACHMENT BELOW.

DOOR OF SINGLE-USE RESTROOM IS ALLOWED  
TO ENCROACH INTO THE 60 INCH CLEAR AREA  
PROVIDED THERE IS A 30 INCH X 48 CLEAR  
SPACE BEYOND THE DOOR.

### **WHEELCHAIR CLEAR SPACE** (ICC A117.1-603.2.2/305.3)

Notes:

1. Based on 2019 Oregon Structural Specialty Code (OSSC) and the 2009 ICC A117.1 Standard (Need to verify compliance with new code/standard).
2. All fixtures, hallways, doors, etc. shall conform to the requirements of OSSC Chapter 11 and ICC A117.1 as applicable. See OSSC Section 1109.12.2 and ICC A117.1 Sections 902, 904.4 and other applicable sections for additional information.
3. See additional notes on other side, Part I.