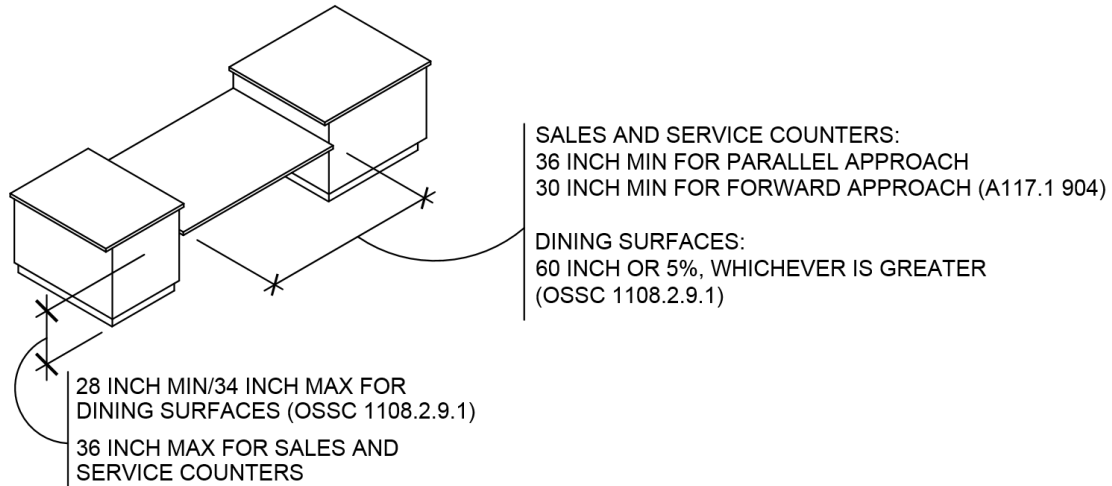


This header space is for local jurisdiction to put their own logo and information

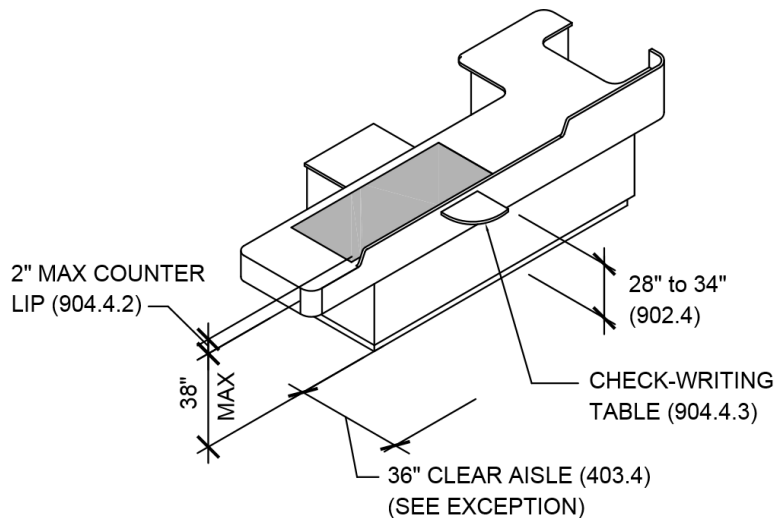
ACCESSIBLE COUNTERS



KNEE/TOE CLEARANCE REQ'D FOR FORWARD APPROACH (1108.2.9.1, ICC A117.1, 306)

FLIP-UP COUNTERS, ADJACENT TABLES AND SIMILAR DEVICES SHALL NOT BE PERMITTED TO SATISFY THE REQUIREMENT FOR ACCESSIBLE DINING SURFACES. (1108.2.9.1)

DINING AND DRINKING COUNTERS



CHECKOUT COUNTERS

Notes:

1. Based on 2019 Oregon Structural Specialty Code (OSSC) and the 2009 ICC A117.1 Standard (Need to verify compliance with new code/standard).
 2. All fixtures, hallways, doors, etc. shall conform to the requirements of OSSC Chapter 11 and ICC A117.1 as applicable. See OSSC Section 1109.12.2 and ICC A117.1 Sections 902, 904.4 and other applicable sections for additional information.
 3. Accessible dining and drinking surfaces shall be distributed throughout the facility and located on a level accessed by an accessible route.
 4. See OSSC 1108.2.9 for additional information for dining and drinking areas.
 5. See OSSC 1109.12.3 for Point-of-Sale requirements.
 6. See OSSC 1109.12.4 for Food Service counters.
 7. See OSSC 1109.12.5 for Queue and Waiting areas.
- See ICC A117.1 Section 902.5 for Dining/Work surfaces for children's use